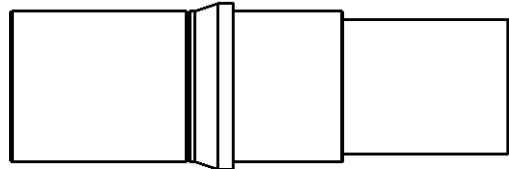
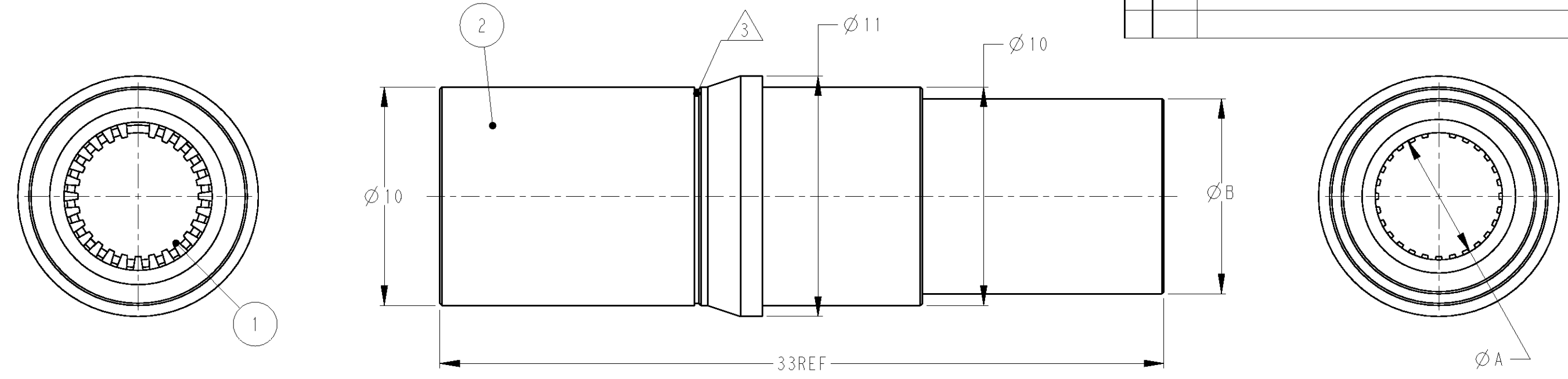


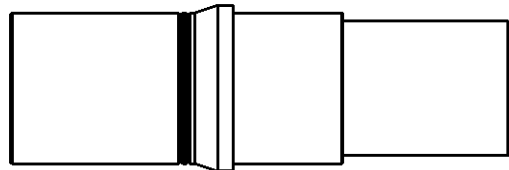
THIS DRAWING IS UNPUBLISHED. RELEASED FOR PUBLICATION 20
 © COPYRIGHT 20 BY TYCO ELECTRONICS CORPORATION. ALL RIGHTS RESERVED.

| LOC | DIST | REVISIONS | | | | | |
|-----|------|-----------|-----|-------------|-----------|-----|------|
| J | - | P | LTR | DESCRIPTION | DATE | DWN | APVD |
| | | A | | RELEASED | 31JUL2010 | M.M | N.Y |
| | | B | | REVISED | 31AUG2010 | M.M | N.Y |

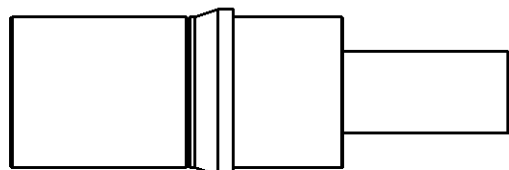
AS SHOWN : 1871132-1



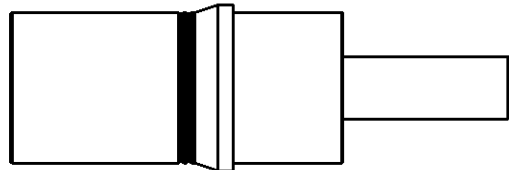
SCALE 2:1
1871132-1



1871132-2



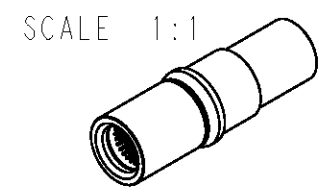
1871132-3



1871132-4

- ①. MATERIAL :
BODY CONTACT : COPPER
CROWN CONTACT : COPPER ALLOY
- ②. FINISH :
BODY CONTACT :
SILVER PLATED ALL OVER 2.54μmMIN
AFTER NICKEL PLATED ALL OVER 1.3μmMIN
CROWN CONTACT :
GOLD PLATED ON CONTACT AREA 0.76μmMIN
AFTER NICKEL PLATED ALL OVER 1.3μmMIN
- ③. ID MARK FOR WIRE SIZE.
- 4 .APPLICATED CRIMP HAND TOOL
1871132-1 : 59975-1 (SET NO 6)
1871132-2 : 59975-1 (SET NO 6)
1871132-3 : 409777-1 (SET NO 5.5)
1871132-4 : 409777-1 (SET NO 5.5)

| WIRE RANGE(mm2) (AWG # REF) | ID MARK | B | A | 1871132-4 | 1871132-3 | 1871132-2 | 1871132-1 | DESCRIPTION | ITEM |
|--------------------------------|---------|-----|-----|-----------|-----------|-----------|-----------|--------------------|------|
| 1.0~2.6 (AWG #16-14) | 2 LINE | 4.1 | 2.3 | 1 | | | | SOCKET CONTACT #14 | ② |
| 2.7~6.6 (AWG #12-10) | 1 LINE | 5.4 | 3.4 | | 1 | | | SOCKET CONTACT #10 | ② |
| 6.7~10.5 (AWG #8) | 2 LINE | 8.9 | 4.5 | | | 1 | | SOCKET CONTACT # 8 | ② |
| 10.6~16.7 (AWG #6) | 1 LINE | 8.9 | 5.8 | | | | 1 | SOCKET CONTACT # 6 | ② |
| | | | | 1 | 1 | 1 | 1 | CROWN CONTACT | ① |



SCALE 1:1

THIS DRAWING IS A CONTROLLED DOCUMENT FOR TYCO ELECTRONICS CORPORATION. IT IS SUBJECT TO CHANGE AND THE CONTROLLING ENGINEERING ORGANIZATION SHOULD BE CONTACTED FOR THE LATEST REVISION.

| | | | | | |
|---|---|--------------------|-------------------------|--------------------|-------|
| DWN M. MAEBASHI 31JUL2010 | Tyco Electronics Corporation Kawasaki, Japan | | | | |
| CHK N. YAMASAKI 31JUL2010 | | | | | |
| APVD N. YAMASAKI 31JUL2010 | | | | | |
| NAME DYNAMIC D7000 SERIES SOCKET CONTACT ASSY | | | | | |
| PRODUCT SPEC 108-78470 | SIZE A3 | CAGE CODE 00779 | DRAWING NO C=1871132 | RESTRICTED TO - | |
| APPLICATION SPEC 114-5452 | CUSTOMER DRAWING | | SCALE 5:1 | SHEET 1 OF 1 | REV B |